

## RENAISSANCE

### Console Lavatory

5053.082 Lavatory, 5053.631 Metal Stand

#### Product Features

- Vitreous china console lavatory with overflow
- 8" (20.3cm) faucet centers (-8)
- MicroGlaze™ anti-microbial, stain-resistant glaze

#### Stand Features

- Stainless steel metal base stand
- PVD-coated surface, for corrosion resistance
- Multiple finish options available

#### Accessories Included

- Installation bolts
- Note: faucetry is not included

#### Quality Assurance

- Limited lifetime product warranty



### PRODUCT OPTIONS & PARTS

#### Glaze Color Options



White .01



Balsa .06

#### Metal Stand Finish Options



Polished  
Chrome  
.500



Polished  
Nickel  
.502

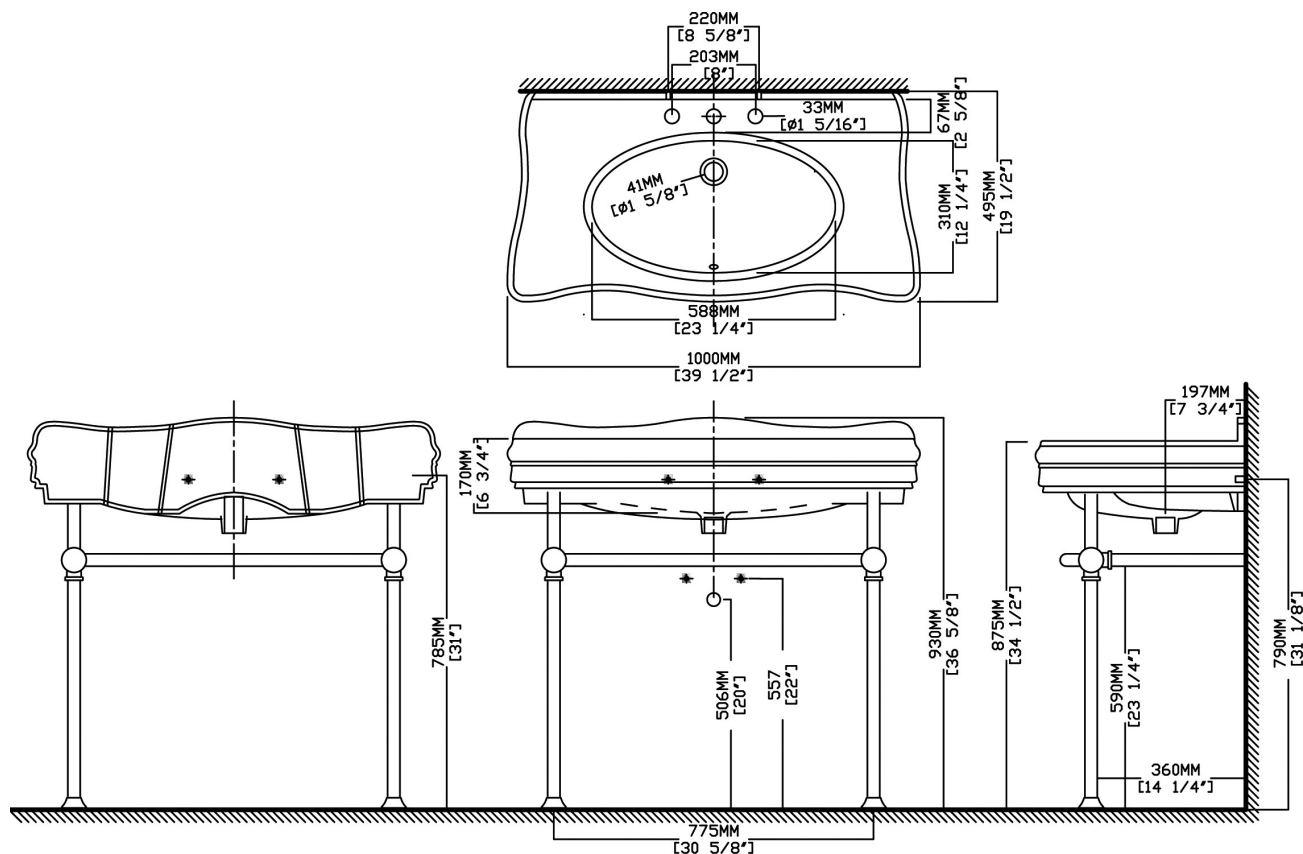


Satin  
Nickel  
.503



Polished  
Brass  
.504

Dimensional Diagram



**IMPORTANT:** Dimensions are nominal and may vary within the range of tolerance per NSI Standard A112.19.2. These measurements are subject to change. No responsibility is assumed for use of superseded or voided pages.

Compliance Certifications

- ASME A112.19.2M
- CSA B45.1